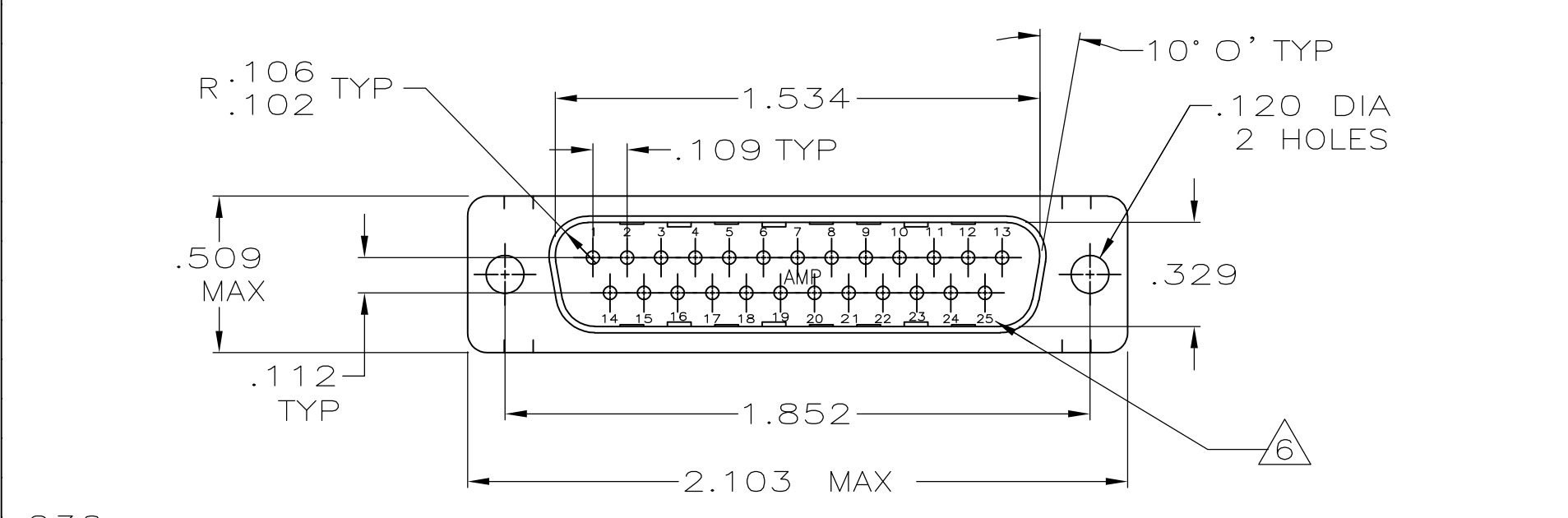
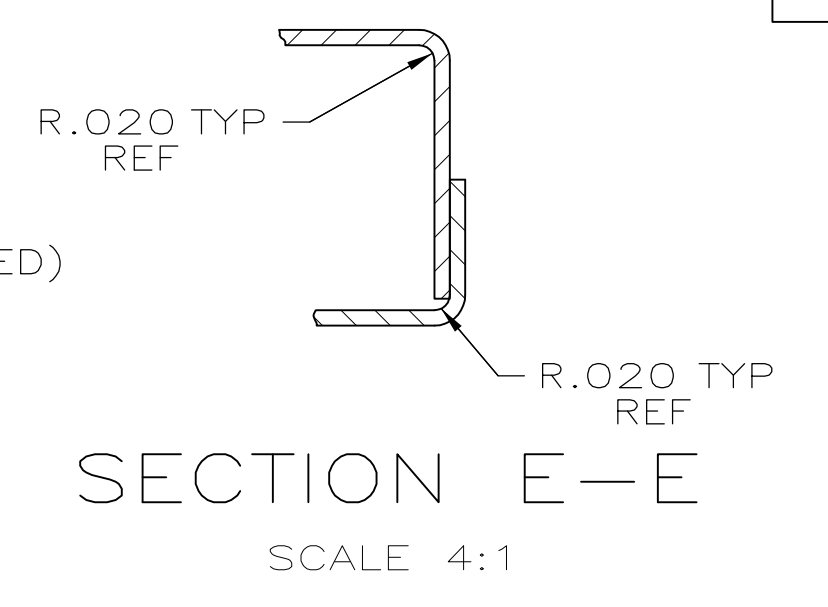
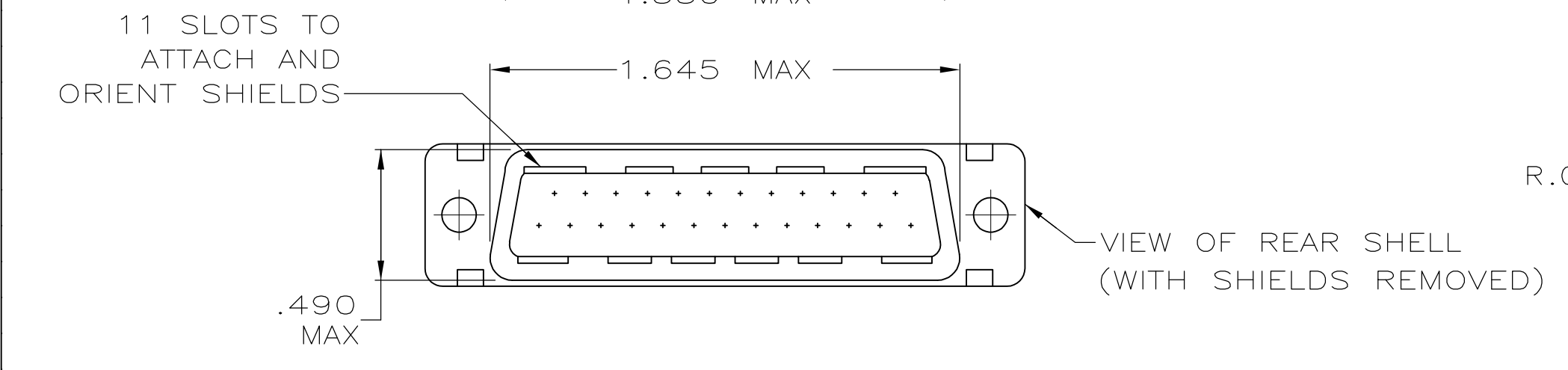
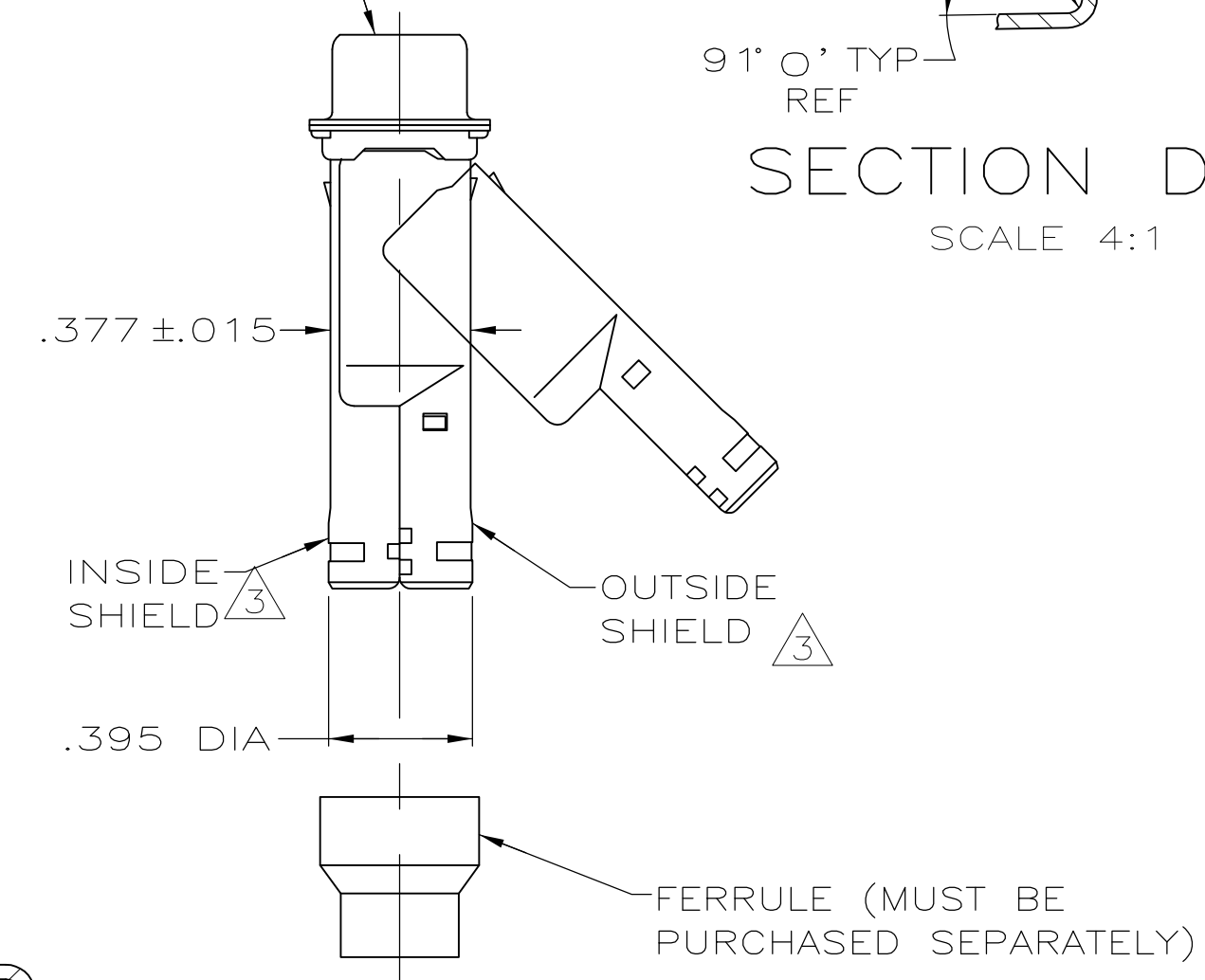
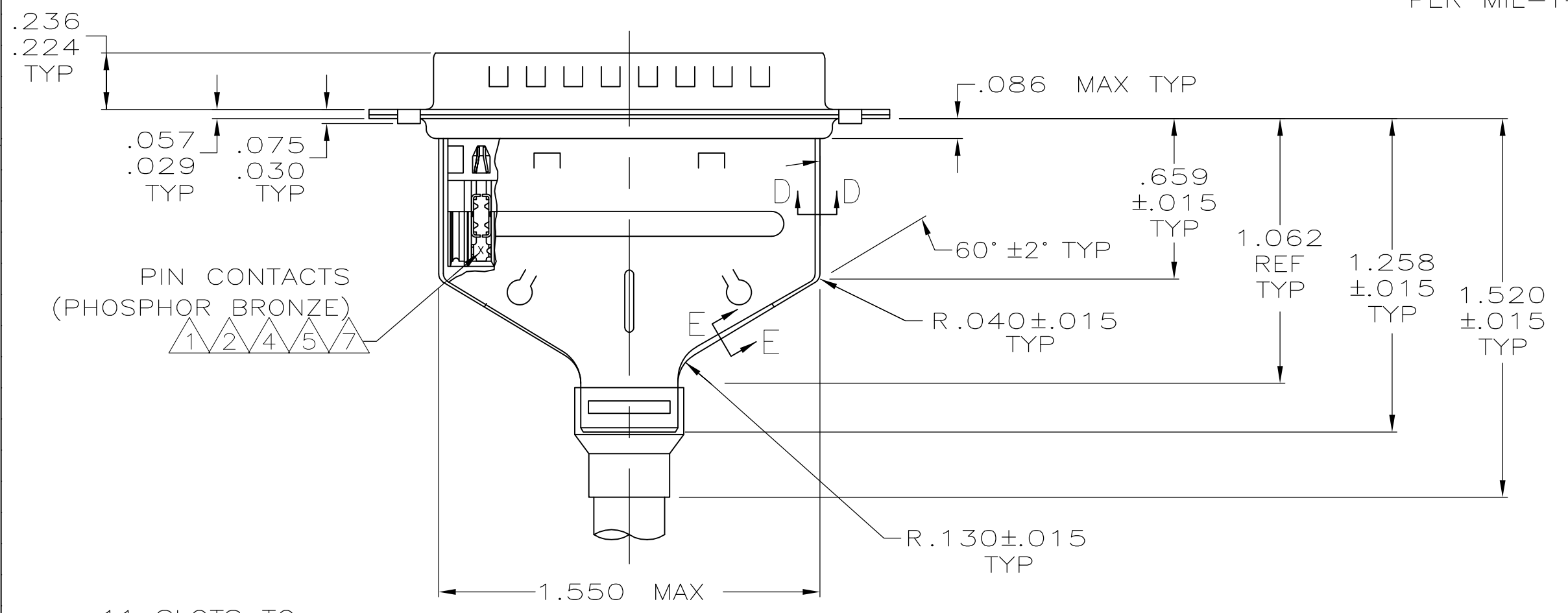
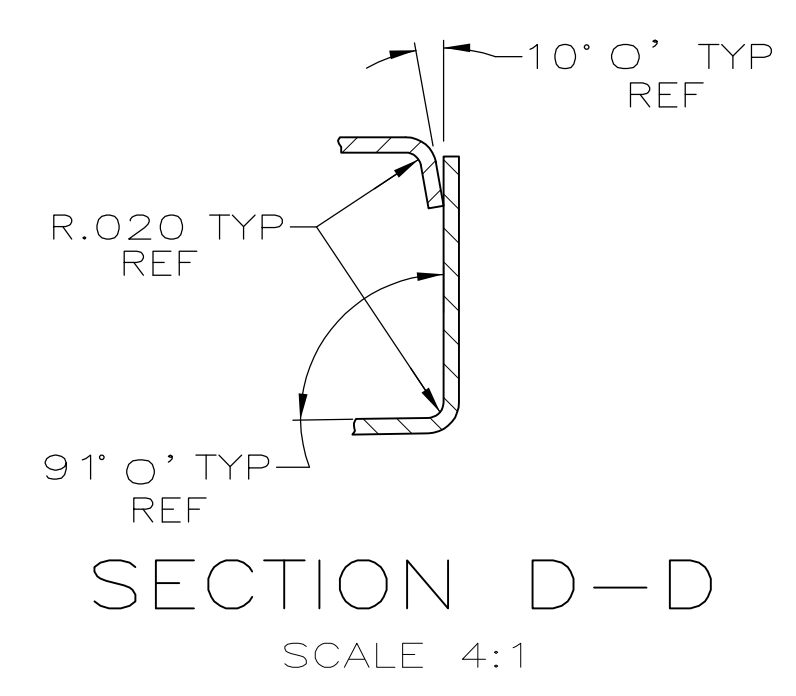


LOC		DIST		REVISIONS			
GP	00	P	LTR	DESCRIPTION	DATE	DWN	APVD
M1				REVISED PER ECO-11-004835	11MAR11	RK	HMR



PLUG CONNECTOR <sup>1</sup>  
 INSERT: BLACK THERMOPLASTIC,  
 94V-0 RATED.  
 SHELL: STEEL PER ASTM A109,  
 BRIGHT TIN PLATED  
 PER MIL-T-10727.



- 1 PLUG CONNECTOR FULLY LOADED WITH CONTACTS. ALL OTHER PARTS SHIPPED UNASSEMBLED (EACH PART INDIVIDUALLY BULK PACKED).
- 2 NUMBER ON CONTACT INDICATES WIRE RANGE.
- 3 SHIELDS: MATERIAL-.020 THICK STEEL, TIN PLATED.
- 4 CONTACTS PLATED GOLD PLATED FOR LENGTH OF .150 MIN FROM MATING END, .000030 MIN GOLD IN MATED AREA. .000100-.000200 BRIGHT TIN OR BRIGHT IN TIN-LEAD IN WIRE TERMINATION AREA. .000050 NICKEL UNDERPLATE ON ENTIRE CONTACT.
- 5 CONTACTS PLATED GOLD PLATED FOR LENGTH OF .150 MIN FROM MATING END, GOLD FLASH IN MATED AREA. .000100-.000200 BRIGHT TIN OR BRIGHT IN TIN-LEAD IN WIRE TERMINATION AREA. .000030 NICKEL UNDERPLATE ON ENTIRE CONTACT.
- 6 RAISED CAVITY IDENTIFICATION AND AMP TRADEMARK.
- 7 CONTACTS PLATED GOLD PLATED FOR LENGTH OF .150 MIN FROM MATING END, .000050 MIN GOLD IN MATED AREA. .000100-.000200 BRIGHT TIN OR BRIGHT IN TIN-LEAD IN WIRE TERMINATION AREA. .000050 NICKEL UNDERPLATE ON ENTIRE CONTACT.
- 8 CONTACTS GOLD PLATED FOR A LENGTH OF .150 MIN FROM MATING END, .000030 MIN GOLD IN MATED AREA, .000100-.000200 MATTE TIN IN WIRE TERMINATION AREA, ALL OVER .000050MIN NICKEL UNDERPLATE ON ENTIRE CONTACT.  
OR  
CONTACTS GOLD PLATED FOR A LENGTH OF .150 MIN FROM MATING END, GOLD FLASH OVER PALLADIUM-NICKEL, .000030 MIN TOTAL IN MATED AREA, .000100-.000200 MATTE TIN IN WIRE TERMINATION AREA, ALL OVER .000050 MIN NICKEL UNDERPLATE ON ENTIRE CONTACT.
- 9 CONTACTS PLATED GOLD FLASH FOR A LENGTH OF .150 MIN FROM MATING END, .000100-.000200 MATTE TIN IN WIRE TERMINATION AREA, ALL OVER .000030 MIN NICKEL UNDERPLATE ON ENTIRE CONTACT.

	2	#22-26	1-747547-0
	2	#22-26	747547-9
	1	#26-30	747547-8
OBSOLETE	2	#22-26	747547-7
OBSOLETE	3	#20-22	747547-6
OBSOLETE	2	#22-26	747547-5
OBSOLETE	1	#26-30	747547-4
OBSOLETE	3	#20-22	747547-3
OBSOLETE	2	#22-26	747547-2
OBSOLETE	1	#26-30	747547-1
	CONTACT FINISH	2	WIRE RANGE
			PART NUMBER

THIS DRAWING IS A CONTROLLED DOCUMENT.

DIMENSIONS: INCHES	TOLERANCES UNLESS OTHERWISE SPECIFIED:	DIN	11-16-04	TE Connectivity KIT, PLUG, SHIELDING HARDWARE, SIZE 3, 25 POSN, HDE-20, AMPLIMITE
	0 PLC ± -	L. VARELA-DOCK5	11-16-04	
	1 PLC ± -	J. GERACE	11-16-04	
	2 PLC ± -	M. WALMSLEY	11-16-04	
	3 PLC ± .005	PRODUCT SPEC		
	4 PLC ± -	APPLICATION SPEC		
	ANGLES ± ± 0° 30'	114-40002		
MATERIAL SEE CALL OUT	FINISH SEE CALL OUT	WEIGHT	A1	00779 747547
		CUSTOMER DRAWING	SCALE 2:1	SHEET 1 OF 1 REV M1